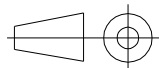
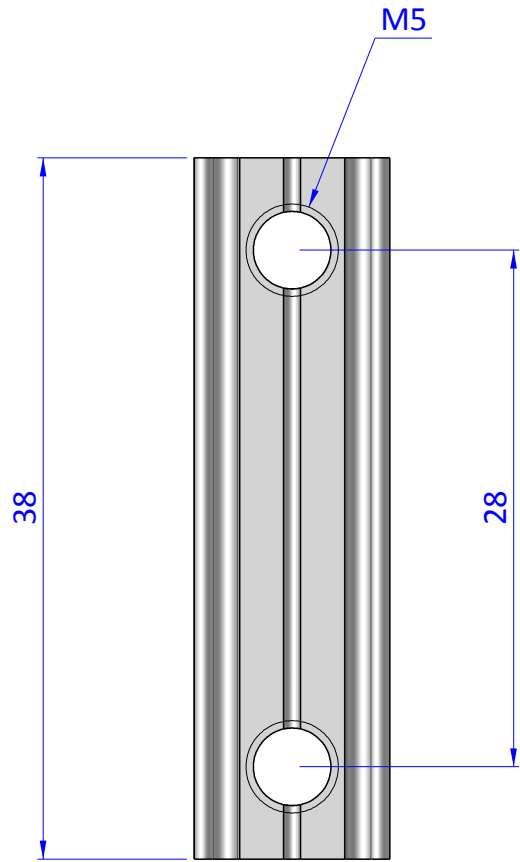
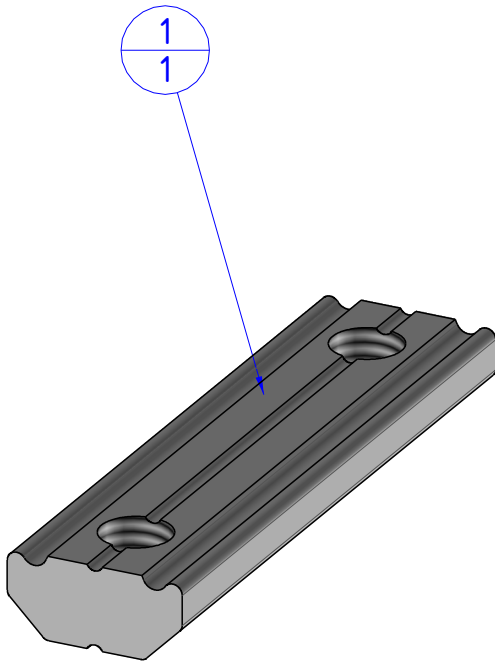
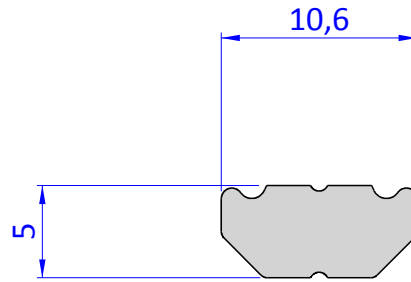


THE PROPERTY OF THE DRAWING IS ESTABLISHED BY LAW. IT IS FORBIDDEN TO PRODUCE OR SHOW IT TO THIRD PART. WITHOUT A WRITTEN AGREEMENT.

Item	Name	Q.ty
1	GWP.5.28	1



DESIGNED FROM <b>FPSERVICES</b>		REVIEW <b>A / 1</b>
DATE <b>12/10/2018</b>	WEIGHT <b>0,013kg</b>	
CODE <b>CA.GWP.5.28</b>		

Format <b>A4</b>
<b>UNI 936-76</b>

GENERAL TOLERANCE UNI - ISO 2768 CLASSE f
---

DESCRIPTION <b>CA.GWP.5.28</b>
-----------------------------------